

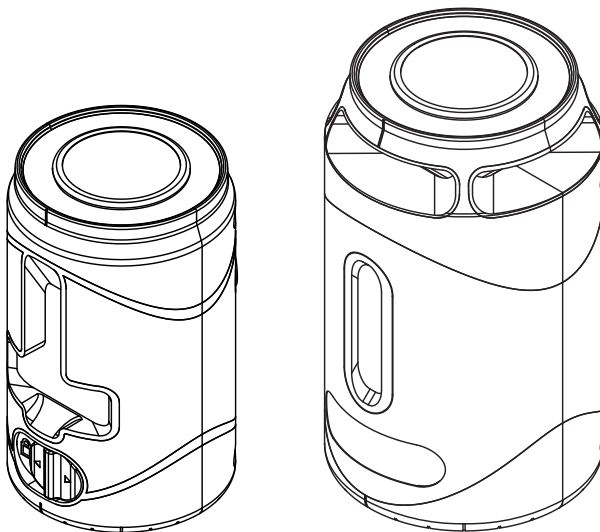
# USER MANUAL

LL4200 LINE LASER RED  
LL4205 LINE LASER GREEN  
LL5505 LINE LASER GREEN

EN ENGLISH

Manual in your  
language?

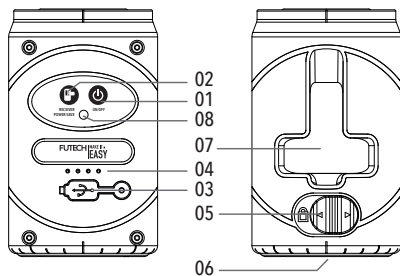
Check the back cover



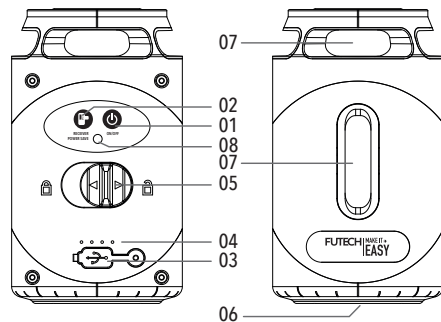
**FUTECH**  
MAKE IT  
**EASY**

## OVERVIEW

### LL4200 - LL4205



### LL5505



### ■ DEVICE

- 01 On/off button - Laser Line selector
- 02 Energy saver - Receiver button (pulse)
- 03 USB-C charging connector
- 04 Battery indicator
- 05 Lock switch - On/off switch
- 06 1/4" screw (to use with a tripod)
- 07 Laser exit
- 08 LED indicator light

## SAFETY

Please read the safety instructions is provided in the separate booklet provided with the device before using.

### NOTE

ALWAYS keep the LOCK switch [05] in lock position (left) during transport or storage to protect the pendulum.

While the product is in operation, be careful not to expose your eyes to the emitting laser beam.

Do not disassemble the laser tool. There are no user serviceable parts inside.

Do not modify the laser in any way. Modifying the tool may result in hazardous Laser Radiation Exposure.

Class 2 laser radiation, do not stare into beam!

## BATTERY

This laser device uses an internal Li-ion battery (see specifications) that can be charged using the USB-C power connector.

The battery indicator [04] shows 4 green LED lights when fully charged. The less lights visible, the less power remains in the battery.

When only one LED light flashes, the power of the device is very low and it should be charged as soon as possible.

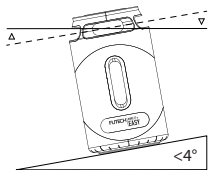
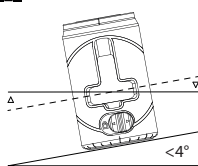
## FIRST TIME USAGE

Remove all protection foils.

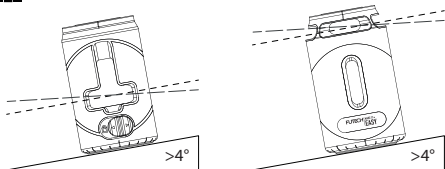
## USE

### ■ SELF-LEVELLING MODE

Slide the lock switch [05] to the unlocked position (right). Both laser lines, horizontal and vertical, will light up. The pendulum will be released and the laser will self-level. The LED indicator light [08] is green.



If the LED indicator light [08] is red and the laser lines flashes, this means the laser line is not levelled because the position of the laser is out of the auto levelling range, which is about 4°.



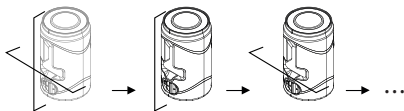
Place the laser on a smoother plane within the 4° levelling range to have a levelled laser line. The LED indicator light [08] will be green again when the laser is back in its levelling range.

#### \_\_\_ SWITCH ON/OFF LASER LINES

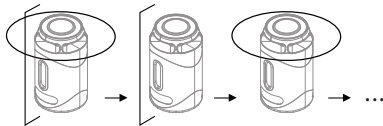
Press the On/off button - Laser line chooser [01] to turn on or off the horizontal or vertical lines.

- Press one time: Horizontal line will turn off. Only vertical line is visible.
- Press second time: Vertical line turns off, horizontal line turns on again.
- Press a third time: Both laser lines will be on.

#### LL4200 - LL4205



#### LL5505



To turn off the laser device, slide the lock switch [05] to the lock position (left). All laser lines will be switched off and the pendulum will be blocked.

#### ■ LOCKED MODE (SLOPE)

With the lock switch [05] in locked position (left), hold the On/off button - Laser line chooser [01] 2 seconds until both laser lines, horizontal and vertical, light up. The LED indicator light [08] is red and the laser lines will flash shortly every 5 seconds to alert you the laser line is not levelled! In this mode you can use the laser to set a sloped line. You can tilt the laser level freely in any direction.

#### \_\_\_ SWITCH ON/OFF LASER LINES

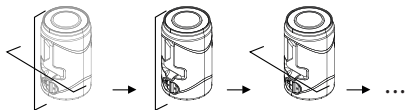
Pressing the On/off button - Laser line chooser [01] allows you to turn on or off the horizontal or vertical lines.

- Press one time: Horizontal line will turn off. Only vertical line is visible.
- Press second time: Vertical line turns off, horizontal line turns on again.

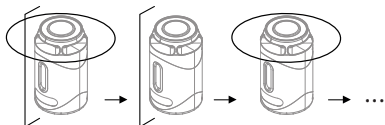


- Press a third time: Both laser lines will be on.

#### LL4200 - LL4205



#### LL5505



To turn off the laser device, hold the On/off button - Laser line chooser [01] for about 2 seconds until all laser lines will be switched off.

#### ■ ENERGY SAVER MODE

---

In both modes, self-levelling and locked mode, press the Energy saver - Receiver button [02] shortly to adjust the brightness of the laser lines.

The brightness is divided into 4 levels and the key cycles through them. Lower intensities allow your battery to last longer.

#### ■ RECEIVER MODE (PULSE)

---

Only in self-levelling mode, hold the Energy saver - Receiver button [02] for about 2 seconds. The receiver mode is now turned on. This means the laser lines can now be detected by a laser receiver.

Hold the Energy saver - Receiver button [02] again for about 2 seconds to turn off the receiver mode.

In this mode, energy saving is unavailable.

## TECHNICAL SPECIFICATIONS

MODEL	LL4200 RED	LL4205 GREEN	LL5505 GREEN
Nr. of horizontal lines	1x100°		1x360°
Nr. of vertical lines	1x100°		
Levelling accuracy	+/- 3mm/10m		
Levelling	Pendulum leveling		
Levelling range	4°, ±1°		
Working range	±15m	±30m	±40m
Operating time	Up to 12h (100%)	Up to 3h (100%)	Up to 5h (100%)
	Up to 24h (25%)	Up to 6h (25%)	Up to 10h (25%)
Slope function	Manual (pendulum lock)		
Battery	3.7V, 1000mAh Li-ion		3.7V, 2000mAh Li-ion
IP-rating	IP54		
Operating temperature	-10°C ~ +50°C		
Storage temperature	-20°C ~ +70°C		
Laser type	630-670nm (red)		505-550nm (green)
	Class 2, <1mW		Class 2, <1mW





## DECLARATION OF CONFORMITY

Futech (Belgium) declares under its own responsibility that this device:

- LL4200 LINE LASER RED
- LL4205 LINE LASER GREEN
- LL5505 LINE LASER GREEN

is in conformity with the standards

- EN 61326-1: 2013
- EN 61326-2-2: 2013
- EN 61000-3-2: 2014
- EN 61000-3-3: 2013

Under EMC Directive  
2014/30/EU

Lier, Belgium,  
March 30, 2023  
Patrick WaÛters

# USER MANUAL

## other languages:



DA DANSK

---



DE DEUTSCH

---



ES ESPAÑOL

---



ET EESTI KEEL

---



FI SUOMEN KIELI

---



FR FRANÇAIS

---



IS ÍSLENSKA

---



IT ITALIANO

---



NL NEDERLANDS

---



NO NORSK

---



PT PORTUGUÊS

---



SL SLOVENŠČINA

---



SV SVENSKA

---



Facebook  
@futechtools



LinkedIn  
futechtools



World Wide Web  
futech-easy.com



YouTube  
@futechtools